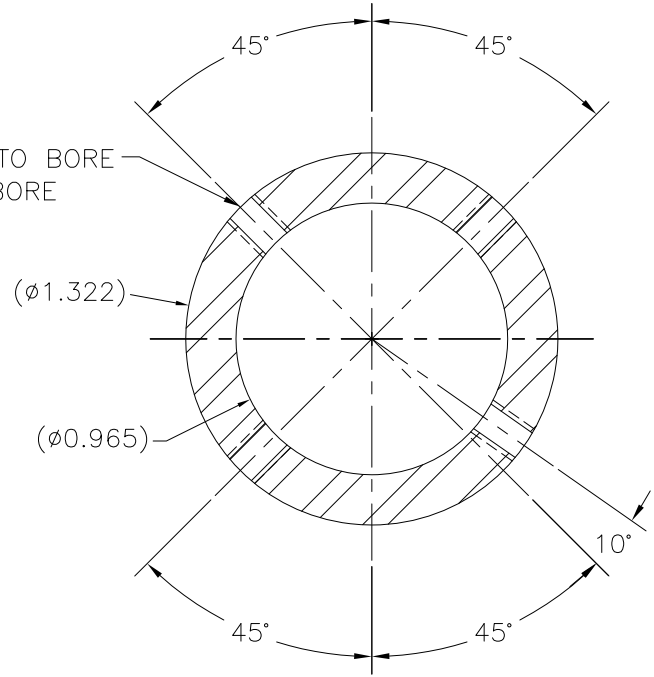
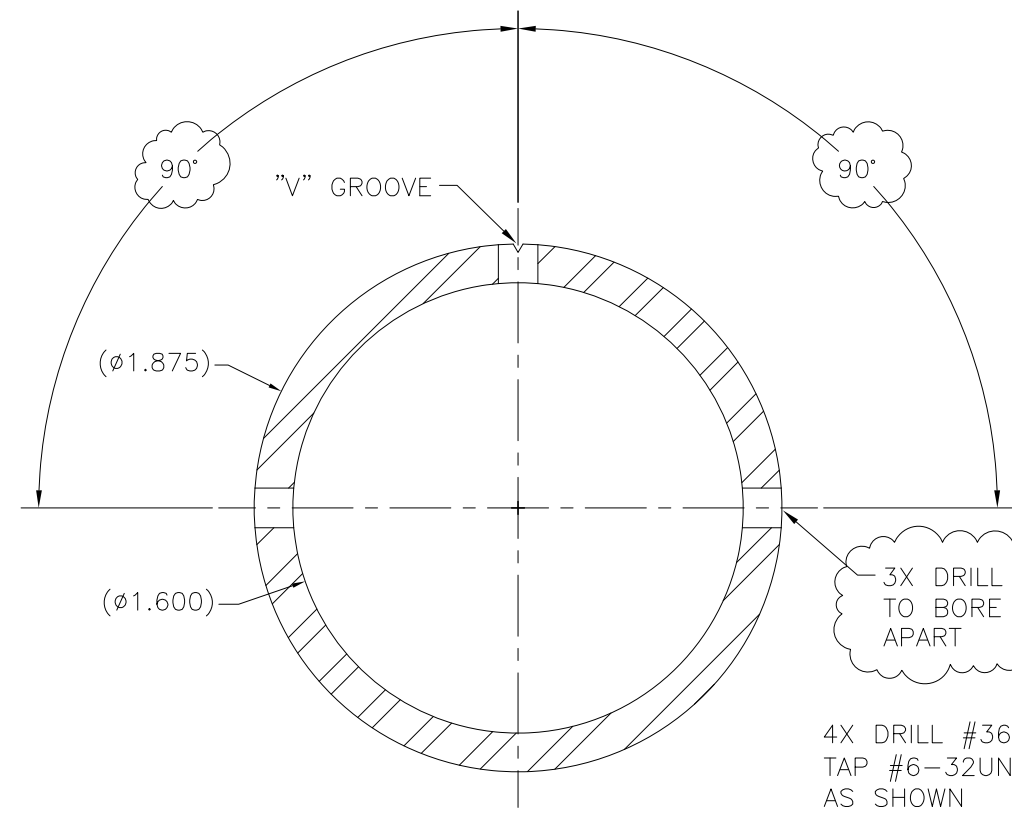


REVISIONS				
NO	DESCRIPTION	DATE	BY	APR/DATE
0	ISSUED FOR MANUFACTURE	2/21/11		
1	ADDED INFORMATION FOR HOLES IN SECTION 2-C-4	4/7/11		

4X DRILL #36 (0.1065) TO BORE
TAP #6-32UNC-2B TO BORE
AS SHOWN



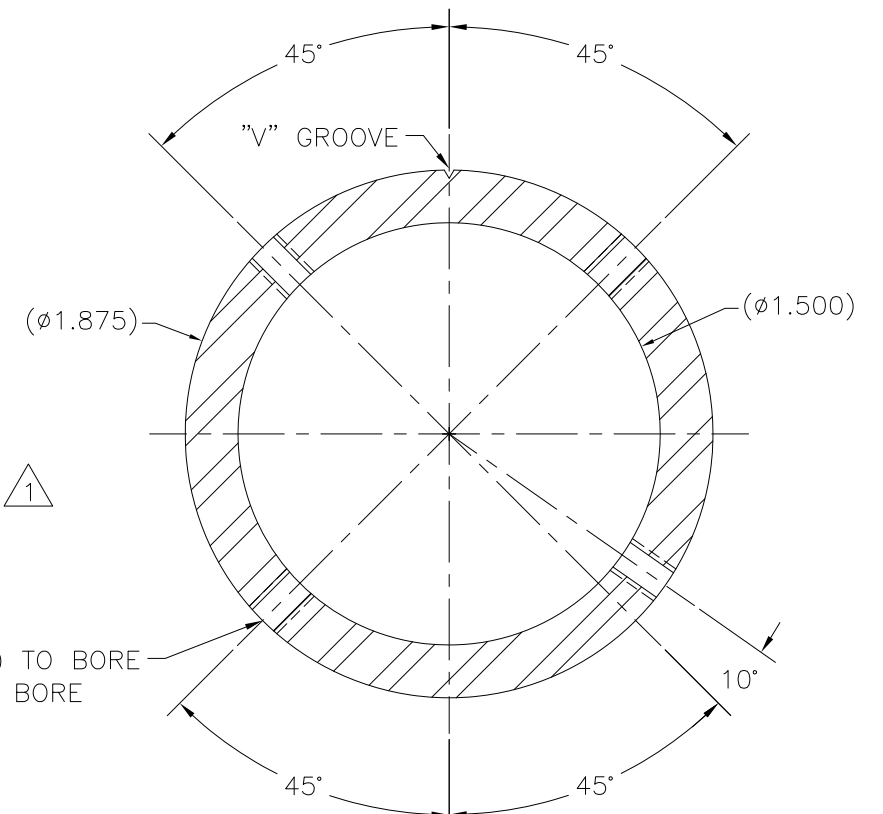
SECTION 2-C-7
REF. 1-B-4



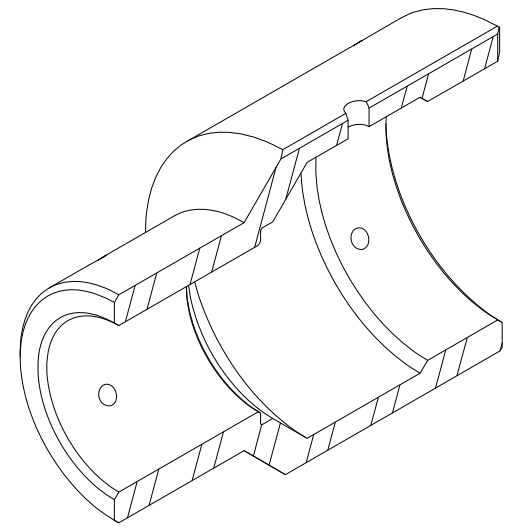
SECTION 2-C-4
REF. 1-B-3

3X DRILL $\phi 9/64$
TO BORE 90°
APART

4X DRILL #36 (0.1065) TO BORE
TAP #6-32UNC-2B TO BORE
AS SHOWN



SECTION 2-C-2
REF. 1-B-3



PICTORIAL 2-A-5
CONNECTOR POTTING CARTRIDGE

TOLERANCES: UNLESS OTHERWISE SPECIFIED 0.X ± 0.030 0.XX ± 0.010 0.XXX ± 0.005 ANGLES ± 1/2° BREAK EDGES 0.015 x 45° MIN. FINISH 125 ✓ [0.010]A ALL DIMS ARE IN INCHES, UNLESS NOTED OTHERWISE.	PROPRIETARY NOTICE THIS DRAWING AND THE INFORMATION IT CONTAINS ARE CONSIDERED CONFIDENTIAL, AND MAY NOT BE REPRODUCED, COPIED OR USED, IN PART OR IN WHOLE, WITHOUT PRIOR WRITTEN CONSENT.	Integrated Ocean Drilling Program TEXAS A&M UNIVERSITY 1000 DISCOVERY DRIVE COLLEGE STATION, TX 77845	
		TITLE CONNECTOR POTTING CARTRIDGE	
SHEET 2 OF 2 SCALE 3:1 BY MM DATE 2/21/11		SYSTEM ERS v.2 ASSEMBLY 3" ERS APPROVED DH CHECKED DH SIZE D P/N ERS-031 REV. 1	